

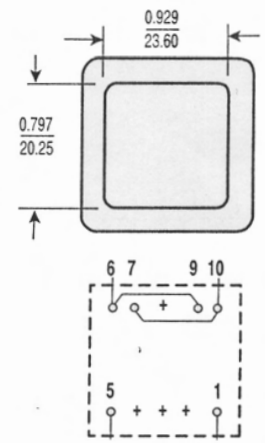
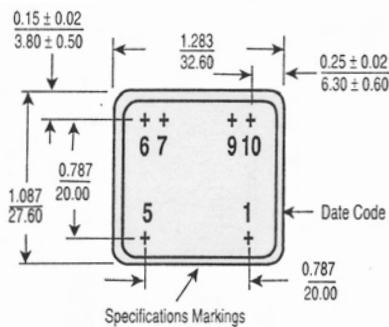
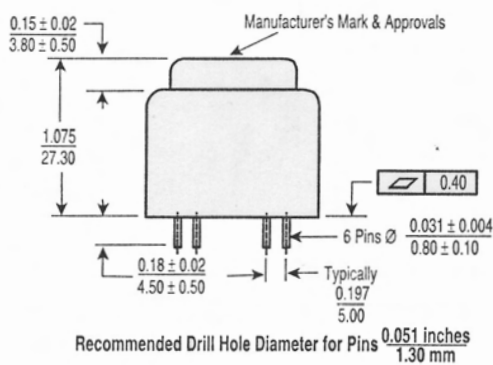
44000 Series EI 30-15.5 (2 VA) Sealed Power Transformer

FEATURES

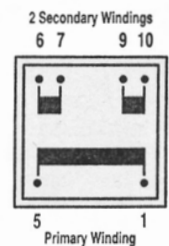
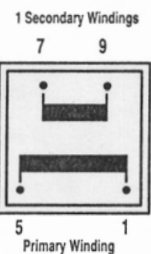
- UL and VDE Approvals
- Vacuum Filled
- Split Bobbin Design
- Self-Extinguishing Plastics UL94V-0
- Dielectric Strength 4200Vrms
- Inherently energy limited
- Resin Class B IEC 85 (20,000 h Testing to IEC 216)
- Conforms to EN 60742
- 100% Production Tested
- Weight: 100 grams



OUTLINE DIMENSIONS



Recommended layout for transformers with 1 secondary winding (allows the use of a transformer with 2 secondary windings)



ELECTRICAL SPECIFICATIONS

ORDER NUMBER 115 VAC	ORDER NUMBER 230 VAC	SEC. VOLTAGE V	SEC. CURRENT mA	NO LOAD VOLTAGE V	AMBIENT TEMP. °C
44133	44121	6	333	10.4	70
44134	44122	9	222	15.5	70
44135	44123	12	167	20.7	70
44136	44124	15	133	25.8	70
44137	44125	18	111	30.8	70
44138	44126	24	83	41.4	70
44139	44127	2 x 6	2 x 167	2 x 10.4	70
44140	44128	2 x 9	2 x 111	2 x 15.4	70
44141	44129	2 x 12	2 x 83	2 x 20.7	70
44142	44130	2 x 15	2 x 67	2 x 25.8	70
44143	44131*	2 x 18	2 x 56	2 x 30.8	70
44144	44132*	2 x 24	2 x 42	2 x 41.4	70

NOTE: Circuit isolation protection is provided per EN 60742
* Limited Approval Ratings



ZETTLER Magnetics, Inc.

The Power to Transform